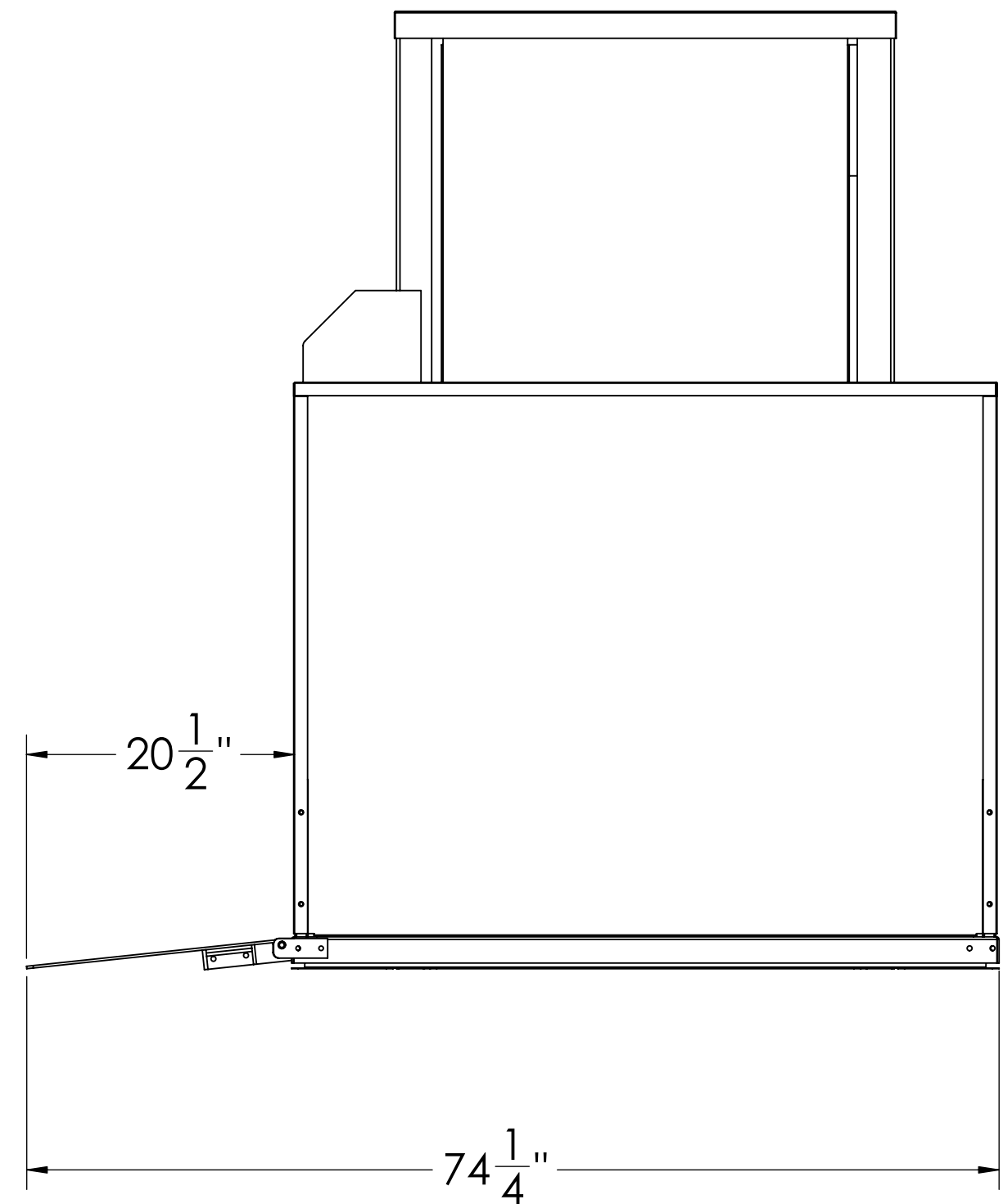


**CAPACITY: 750 LBS or TWO PERSONS**  
**TOTAL LIFT: 49-1/2"**  
**MOTOR: 3/4 HP 24VDC 32 FLA**  
**BATTERY CHARGER: 120VAC 1A**



**RAMP DIRECTION MAY BE MIRRORED**  
**LEFT HAND TOWER SHOWN**  
**90 DEGREE EXIT AVAILABE**

TOLERANCES:					MATERIAL :	
millimeters:					UNITS REQUIRED	
X	.X	.XX	.XXX	angle		
+/-0.5	+/-2	+/-10	+/-02	+/-1deg		
inches:					FINISH	
X	.X	.XX	.XXX	angle		
+/-0.031	+/-015	+/-010	+/-005	+/-1deg		
PROJECT : Decklift						
FILE NAME : DC Decklift 48" Layout						
PART. NO. : DLDC48-00-01						
<i>Proprietary information not to be released without written authorization from Cambridge Elevating Inc.</i>						
DRAWN: R.Berry					<b>CAMBRIDGE ELEVATING INC.</b>	
DATE:						
CHECKED:					SHEET 1 OF 1	
QUAL ENG:					REV. A	
CAD GENERATED DRAWING. DO NOT MANUALLY UPDATE					SIZE: A	SCALE:
					CAD FILE:	